



MODEL 4593

Barrier-Free Fountain



This fountain is certified to NSF/ANSI 61.

GENERAL

Face-mounted, weather-resistant exposed Sierra™ stone aggregate fountain for year-round beauty with minimum maintenance. Contour-formed basin with rounded corners and edges reduces splatter, insures proper drainage and prevents standing waste water. Designed to be easily accessible to both physically challenged and able-bodied individuals. Ideally suited for installation in public areas. Model meets state and federal requirements as defined by the Americans with Disabilities Act.

BUBBLER

Exclusive one-piece, vandal-resistant, chrome-plated two-stream mound-building bubbler with non-removable anti-squirt feature and integral hood insures a satisfying drink of water.

PUSHBUTTON ACTUATION MECHANISM

Self closing, pushbutton does not require grasping or twisting.

AUTOMATIC STREAM HEIGHT REGULATOR

Self-closing assembly is located inside unit to prevent tampering. Unit resists corrosion and liming. A constant stream height is automatically maintained under line pressures that vary from 20 to 105 psi.

INLET STRAINER

Easily cleaned in-line strainer screen traps particles of 140 microns or larger before they enter the waterway.

WATER INLET

3/8" O.D. Tubing

DRAIN OUTLET

1-1/4" tube outlet for 1-1/4" slip joint connection.

SUGGESTED SPECIFICATIONS

Fountain shall include pushbutton on the front. Shall include contour-formed basin to eliminate splashing and standing water, and shall have rounded corners and edges. Projector shall be two-stream, mound-building type with integral hood guard and anti-squirt feature. Fountain shall comply with ANSI 117:1 and ADA for visual and motion disabilities. The manufacturer shall certify the unit to meet the requirements of NSF/ANSI 61, and the Safe Drinking Water Act.

Note: Continued product improvement makes specifications subject to change without notice. See Halsey Taylor website for most current spec sheet.



Standard Finish is Brown Stone aggregate

Each 4593 consists of 1 carton of the following:

Fountain and Misc. Parts

Trap and service stop not included.

Shipping weight: 44 lbs.

JOB NAME: _____

 ENGINEER/CONTRACTOR NAME:

 APPROVAL: _____
 DATE: _____



4593

Barrier-Free Sierra™ Stone Fountain

(CONTINUED)

MOUNTING INSTRUCTIONS

Refer to diagrams for rough-in of plumbing.
For wall support required locations see installation instructions provided with fountain. Bolt fountain securely to wall per installation instructions. Water supply and waste line are to be assembled as required. Final check for leaks and correct functions of fountain should be made. (See installation instructions for full details.)

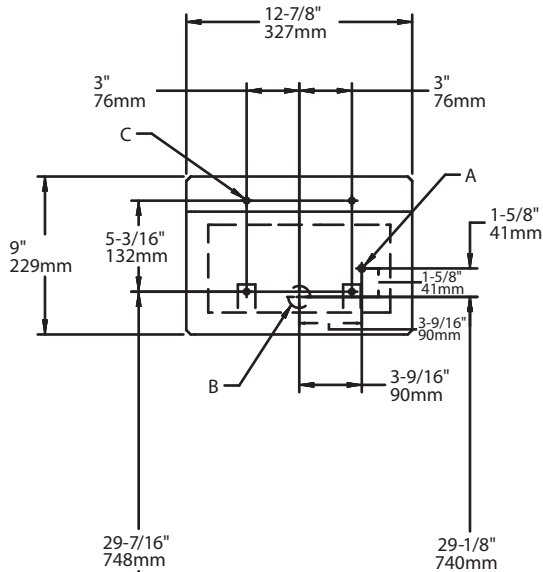
Installation requires trap to be installed in wall. A service supply stop must be installed at the fountain inlet line. Trap and service stop not included.

CAUTION – Fountain must be securely bolted to wall.

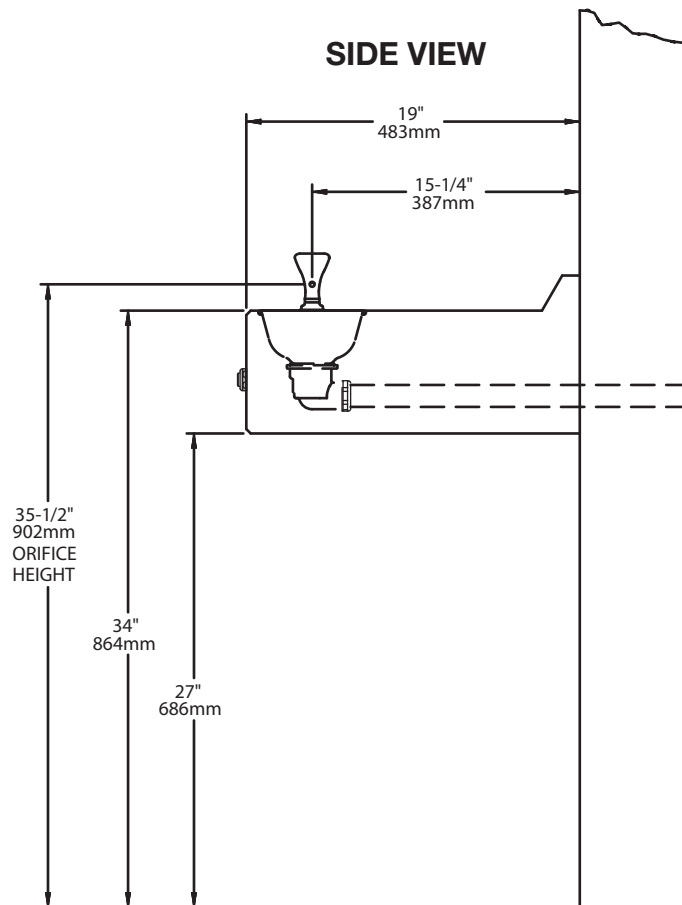
OPERATING PRESSURES:

Supply water - 105 psi maximum

FRONT VIEW / WALL LAYOUT



SIDE VIEW



LEGEND:

A = RECOMMENDED WATER SUPPLY LOCATION, 3/8" O.D. UNPLATED COPPER TUBE CONNECT STUB 1-1/2" (38mm) OUT FROM WALL SHUT OFF VALVE BY OTHERS.

B = RECOMMENDED LOCATION FOR WASTE OUTLET, 1-3/4" O.D. (44mm) DRAIN.

C = (4) 5/16" (8mm) DIA. MOUNTING HOLES.

IMPORTANT: For recommended wall support see installation instructions provided with fountain.

*ADA Requirement

Halsey Taylor®