



98312C and 98324C Cane Touch Aprons for HAC and HVR Series

GENERAL

The cane touch apron is designed to provide symmetry along the front of the units. Available in stainless steel or platinum vinyl finishes. For use on all Halsey Taylor HAC and HVR Series bi-level units to assist with compliance to the protruding objects requirements of ADA (Americans with Disabilities Act).

Note: Floor to underside measurements of cane apron equals 27" when mounted correctly.

KIT CONSISTS OF:

- Cane Apron
- Screws
- Installation instructions

Available finishes include:

- Stainless Steel
- Platinum Vinyl

Shipping Weight: 3.75 lbs.

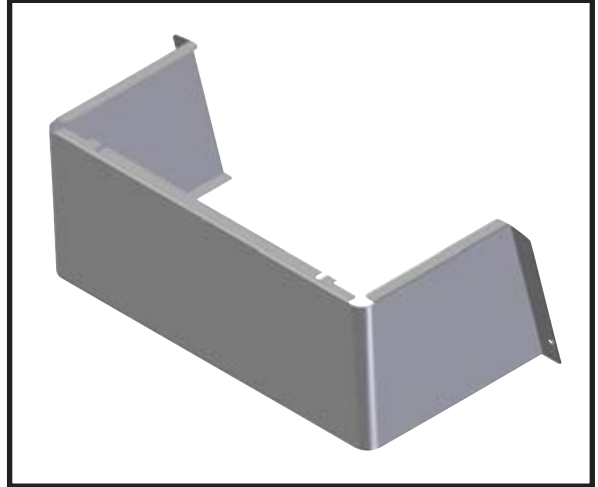
TO ORDER:

Use part #98324C for stainless steel HACFSBL-Q SS or HVRBL ADA models.

Use part #98312C for platinum vinyl HAC8FSBL-Q model.

NOTE: Continued product improvement makes specifications subject to change without notice. See Halsey Taylor website for most current spec sheet.

Cane Touch Apron



98324C Cane Apron shown installed on Halsey Taylor Model HVR8BL ADA

JOB NAME: _____

ENGINEER/CONTRACTOR NAME:

APPROVAL: _____

DATE: _____

98312C and 98324C Cane Touch Aprons for HAC and HVR Series

(CONTINUED)

TOOLS REQUIRED

- Phillips Head Screwdriver
- Pinned Torx Head Driver
- Power Drill with 1/8" Drill Bit
- Hammer and Center Punch

INSTALLATION PROCEDURE:

1) Using cane apron as a template use a center punch to mark hole locations on front of left and right side panels.

2) Drill 1/8" diameter holes at marked locations. (Center punch hole locations before drilling). When drilling the right hand hole, on refrigerated units, be certain to drill straight.

CAUTION: Keep the drill bit away from the refrigeration condenser. If the drill damages or punctures the condenser refrigeration tubing, severe and expensive damage to the refrigeration system will result.

3) Loosen and remove (2) front screws from underside of cooler/fountain dispenser panels.

4) Install cane touch apron to underside of cooler/fountain dispenser panels.

5) Reuse fasteners removed in step 3.

6) Attach lower edges of apron to cooler side panels with screws provided. (Using two holes drilled in step 2 above)

