



Access Panel Kit

GENERAL

This kit can be used on Halsey Taylor wall mounted units and units with traps behind the wall, to provide access to plumbing connections. Available in stainless steel finish only.

KIT CONSISTS OF:

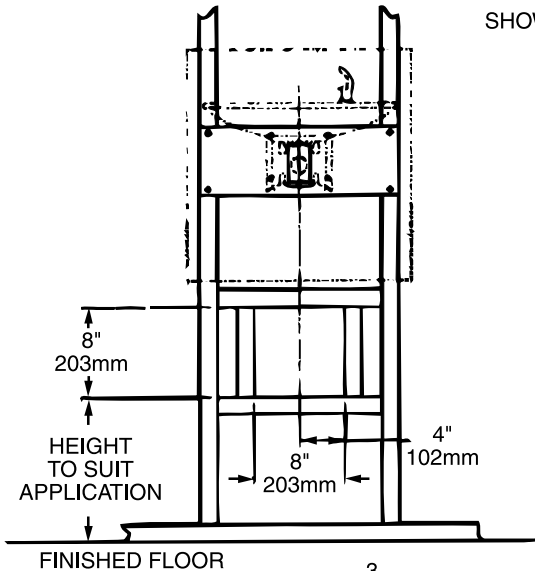
- Stainless steel panel
- Mounting bracket
- Assorted hardware (screws, nuts, bolts) needed for installation
- Installation instructions

Use APHT when ordering

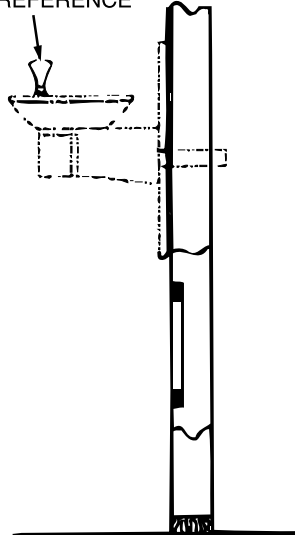
NOTE: Continued product improvement makes specifications subject to change without notice. See Halsey Taylor website for most current spec sheet.



Access Panel Kit

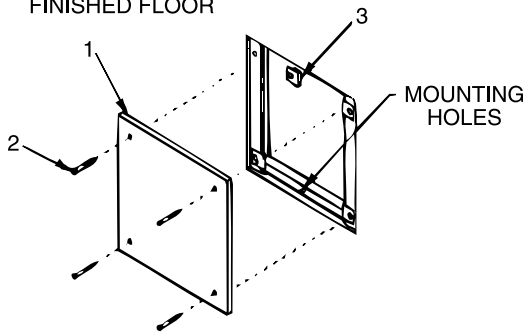


OVL FOUNTAIN SHOWN FOR REFERENCE



OPTIONAL ACCESS PANEL (APHT)

1. Position clips (4) on frame's flanges (flat side of clips to be toward front).
2. Place access panel frame into 8" x 8" (203mm x 203mm) wall opening.
NOTE: position with flanges on the left and right sides of the opening. Face of frame should be flush with or maximum 7/8" (22mm) behind finished wall.
3. Secure frame in place through mounting holes. (Fasteners provided by others.)
4. Place access panel over frame and secure in place using (4) HEX socket screws. NOTE: Installation of these screws will require the use of an allen wrench. (Wrench not furnished).



PARTS LIST		
ITEM NO.	PART NO.	DESCRIPTION
1	55000966	PANEL
2	74080057	#8-32 x 1.50 HSBH ST STEEL
	70424C	#8-32 x 1.50 HSBH-BT
3	70055C	NUT SPEED

JOB NAME: _____

ENGINEER/CONTRACTOR NAME: _____

APPROVAL: _____

DATE: _____