



## Direct Bury

### Direct Bury Fountain Adaptor for 4400 Series Tubular Fountains

### Fountain Adaptor Kit



**GENERAL**

Makes rough-in and installation easier for all models of non-freeze resistant Endura II™ tubular fountains. Opening in adaptor allows for simplified routing of water supply and drain into the fountain body. 3/4" rods provide added stability. Steel adaptor features textured powder-coat finish, and E-coat immersion which coats the outside and inside of the adaptor for the ultimate in corrosion protection.

**KIT CONSISTS OF:**

- Adapter Panel
- (3) 3/4" Rods
- Assorted hardware (nuts, bolts and washers) needed for installation
- Installation instructions

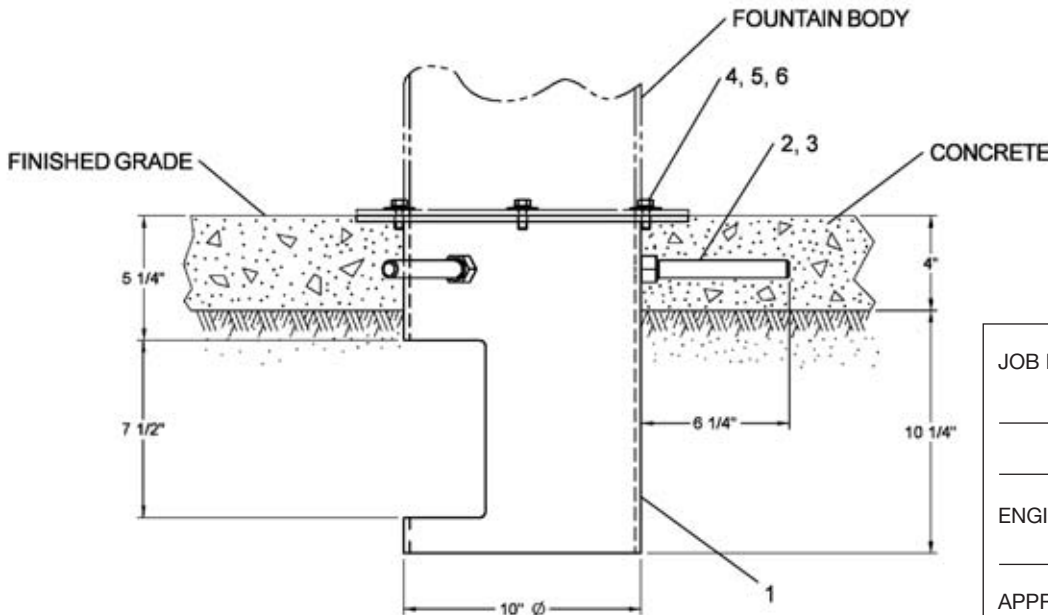
**Shipping Weight:** 40 lbs.

Use part #97890C when ordering

PARTS LIST		
ITEM NO.	PART NO.	DESCRIPTION
1	45835C	Adapter - Direct Bury Fountain
2	75618C	Rod - 3/4" Dia.
3	75616C	Nut - 3/4" 10UNC-2B Hex.
4	70204C	Bolt - 3/8" 16UNC-2A Hex. Hd.
5	75611C	Washer - 3/8" Lock
6	70421C	Washer - 3/8" Plain

**INSTALLATION INSTRUCTIONS**

1. Thread Nuts (Item 3) onto Rods (Item 2) (one Nut per Rod).
2. Thread Rods into Adapter Cylinder (Item 1) and tighten Nuts against Cylinder Securely.
3. Place Washers (Item 6) on Bolts (Item 4) (one Washer per Bolt.) Assemble Bolts into Adapter Flange. **Thread Bolts all the way in.**
4. Secure Adapter into Concrete Forms as per Standard Practice and as Shown Below. Be sure to Align Adapter for proper location of **Water Inlet Line, Drain Line,** and required **Fountain Alignment.**
5. After Sufficient Cure of Concrete, remove Flange Bolts and Washers.
6. Mount Fountain Assembly per Instructions Supplied with Fountain and Items 4, 5 & 6.



JOB NAME: \_\_\_\_\_

\_\_\_\_\_

ENGINEER/CONTRACTOR NAME: \_\_\_\_\_

APPROVAL: \_\_\_\_\_

DATE: \_\_\_\_\_

NOTE: Continued product improvement makes specifications subject to change without notice. See Halsey Taylor website for most current spec sheet.