



Drinking Fountain

MODEL HTICF

GENERAL

Pedestal, Ice Chilled fountain with insulated recycled green polymer cabinet stands up well to the elements and resists rust. Contour formed satin finish stainless steel basin with rounded corners and edges reduces splatter, insures proper drainage and prevents standing waste water. Ideally suited for installation in public areas such as parks and golf courses.

CABINET

Insulated recycled green polymer cabinet is impact and rust resistant. Cabinet has heavy duty hinges and a heavy duty lockable hasp on cabinet door. (Lock not included) Bolt down kit included with cabinet.

BUBBLER

Projector shall be chrome plated, unleaded brass, single-stream, self-closing, pushbutton operated with integral volume control for maintaining proper stream height. Also includes hood guard and anti-squirt feature.

AUTOMATIC STREAM HEIGHT REGULATOR

Self-closing assembly is located inside unit to prevent tampering. Unit resists corrosion and liming. A constant stream height is automatically maintained under line pressures that vary from 20 to 105 psi.

WATER INLET

3/8" O.D. Tubing

DRAIN OUTLET

1-1/4" tube outlet. Internal drain system directs water to rear of fountain. Drain system can be connected to a dedicated drain or "French" (gravel/rock) drain field.

COOLING

Water is chilled through self-contained coils so water source is never in contact with hands or ice. Cooling coil provides 4 cups of 50 degree F water every 8 minutes. (Tested at 80 degrees F incoming water and 90 degrees F outside temperature). No electrical hookup required. Ice drawer slides out for easy filling and holds up to 30 lbs of ice.

SUGGESTED SPECIFICATIONS

Fountain shall have self-rimming stainless steel basin with satin finish. Projector to be pushbutton type with automatic stream control. To have removable drain strainer. The manufacturer shall certify the unit to meet the requirements of the Safe Drinking Water Act.

Note: Continued product improvement makes specifications subject to change without notice. See Halsey Taylor website for most current spec sheet.



Standard finish is green recycled polymer

Optional Accessories (extra cost)

- Water Filter (Recommend water filter to be changed every spring season)
- Bubbler cover (factory installed only)

Each HTICF consists of 1 carton of the following:

Fountain

Trap and service stop not included.

Shipping weight: 81 lbs.

JOB NAME: _____ _____ _____
ENGINEER/CONTRACTOR NAME: _____
APPROVAL: _____
DATE: _____

HTICF

Ice Chilled Drinking Fountain

(CONTINUED)

MOUNTING INSTRUCTIONS and PLUMBING CONNECTIONS

Provide solid, well-drained level surface to mount fountain (concrete pad optional). One 3/8 inch mounting bolt (included) should be attached securely to fountain base and mounting surface as per instructions with hold down kit included with fountain. Hold down kit contains one mounting bolt (3/8" L x 1/2" D) and one brace.(Refer to rough-in diagram).

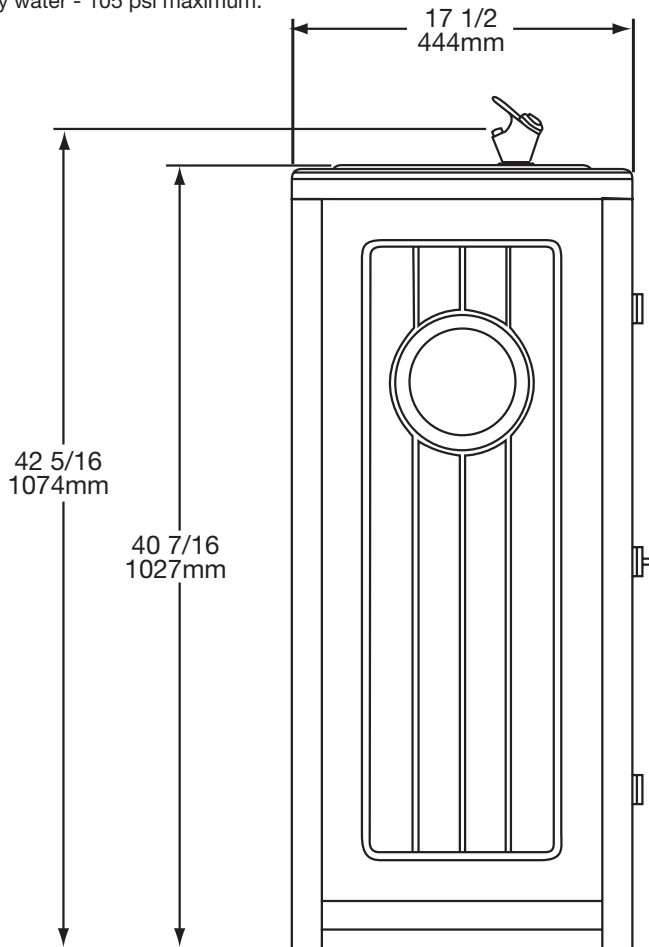
Locate and install plumbing through ground as required. NOTE: Fountain is not furnished with service valve. Assemble mounting brackets to pedestal base with bolts provided. Position pedestal over plumbing and secure base to anchor bolts. Open cabinet door and connect water supply. Turn on water supply and check for leaks. Stream height is factory set at 45-50 psi. If water pressure varies greatly from this, adjust automatic stream regulator to provide drinking stream approximately 1 1/2" above projector guard.

Trap and service stop not included.

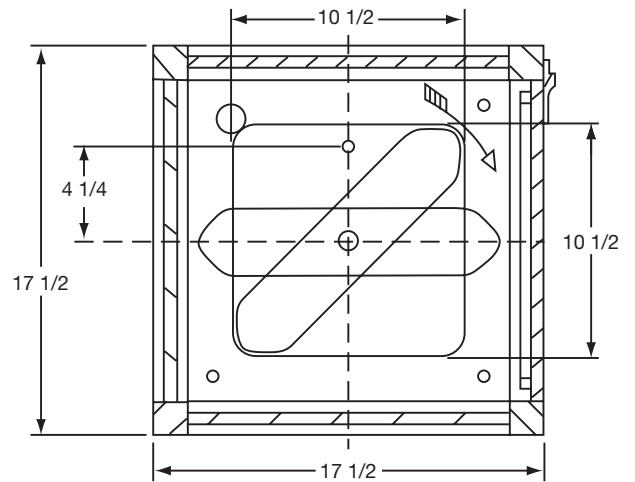
OPERATING PRESSURES

Supply water - 105 psi maximum.

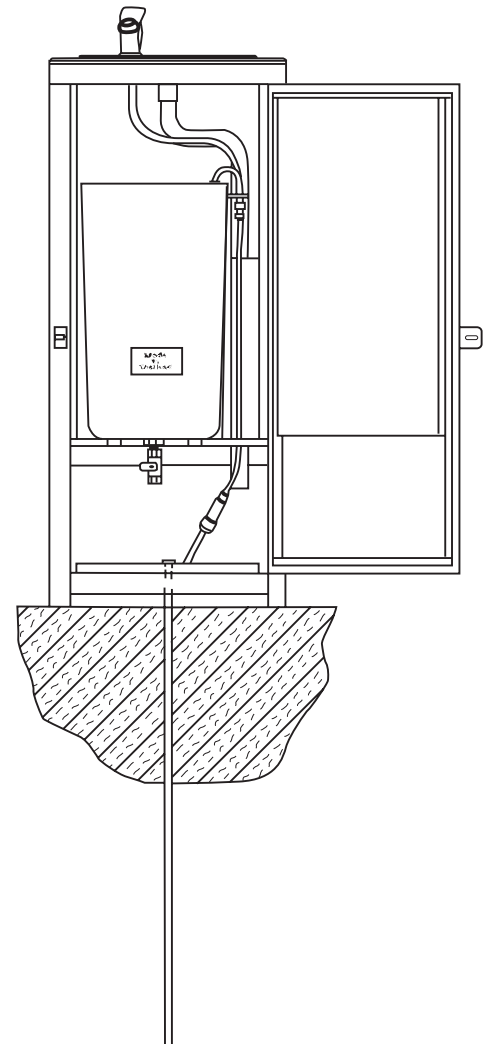
FRONT VIEW



FOUNTAIN BASE/ HOLD DOWN KIT



SIDE VIEW



Halsey Taylor®