



MODEL MPW101 In-Wall Mounting Plate

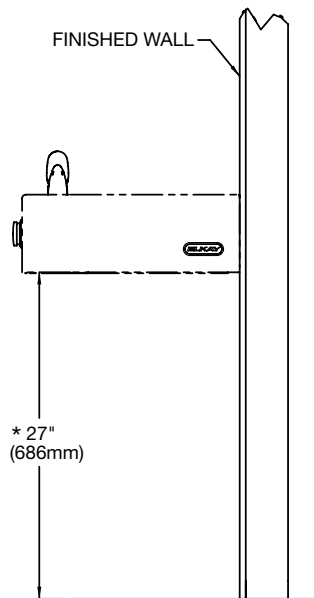
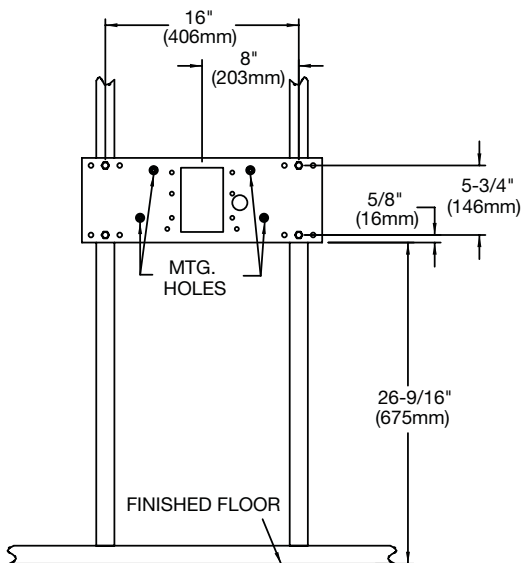
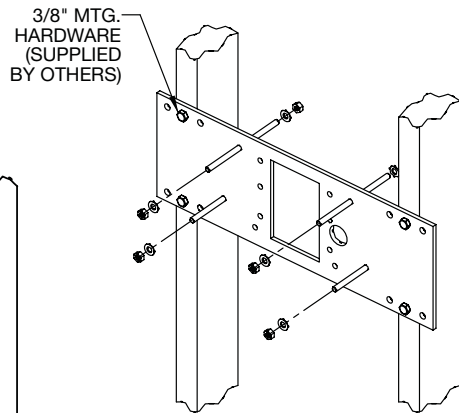
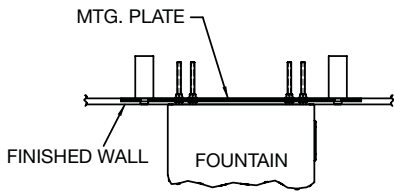
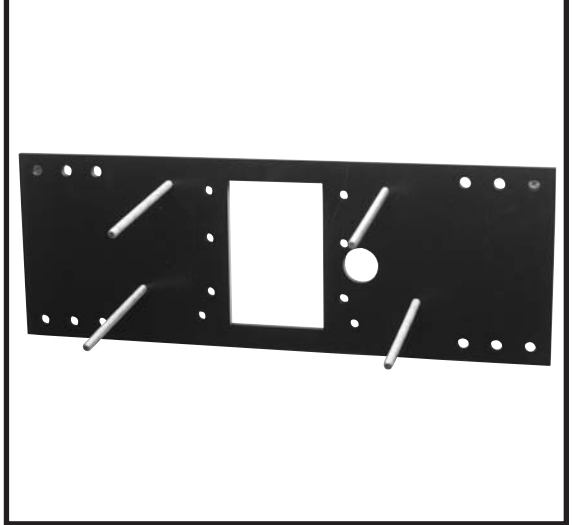
GENERAL

In-Wall Mounting Plate constructed of heavy gauge steel supports up to 300 lbs. Plate can be installed directly to studs or in conjunction with ML100 mounting legs. All parts painted with protective coating to last.

Universal designed mounting plate for HDFS and HRF series single models.

Adjustable height setting allows for adult or child installation.

In-Wall Mounting Plate



* ADA REQUIREMENT

** WITH STANDARD STUD LENGTH OF 6 INCHES.

NOTE - AFTER INSTALLATION, THREADED RODS MAY NEED TO BE TRIMMED

JOB NAME: _____

ENGINEER/CONTRACTOR NAME:

APPROVAL: _____

DATE: _____