



## MODEL MPW201 In-Wall Mounting Plate

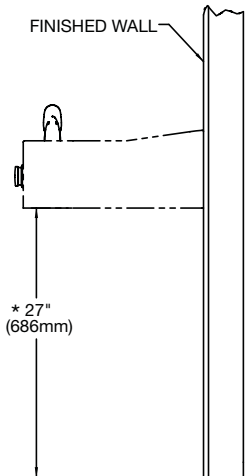
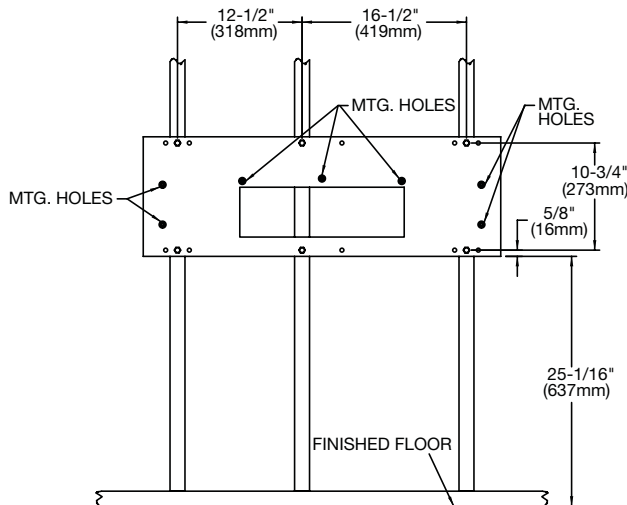
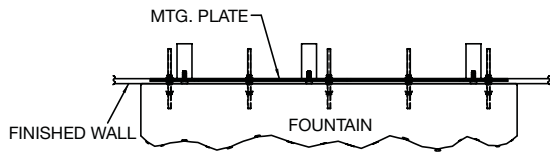
### GENERAL

In-Wall Mounting Plate constructed of heavy gauge steel supports up to 300 lbs. Plate can be installed directly to studs or in conjunction with ML100 mounting legs. All parts painted with protective coating to last.

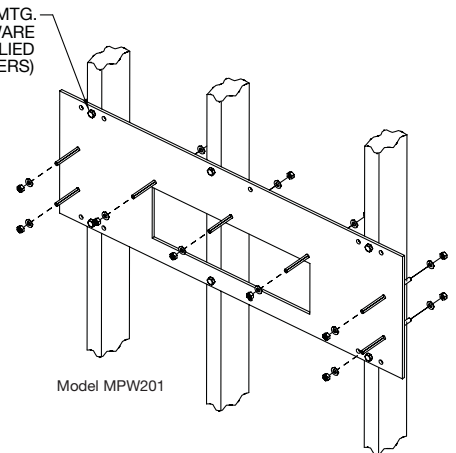
Universal designed mounting plate for Model 7120.

Adjustable height setting allows for adult or child installation.

## In-Wall Mounting Plate



3/8" MTG. HARDWARE (SUPPLIED BY OTHERS)



\* ADA REQUIREMENT  
\*\* WITH STANDARD STUD LENGTH OF 6 INCHES.  
NOTE - AFTER INSTALLATION, THREADED RODS MAY NEED TO BE TRIMMED

JOB NAME: \_\_\_\_\_  
\_\_\_\_\_  
\_\_\_\_\_  
ENGINEER/CONTRACTOR NAME: \_\_\_\_\_  
APPROVAL: \_\_\_\_\_  
DATE: \_\_\_\_\_